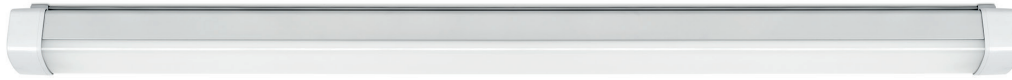
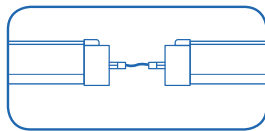


TITAN DATASHEET



TITAN Linkable 50W

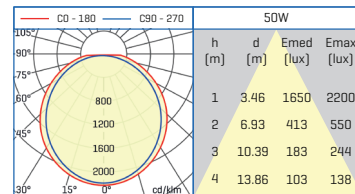
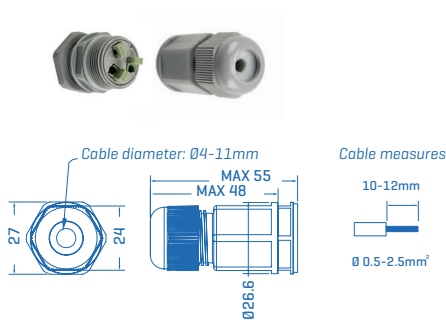
	Lm/W	W	K	Lm	
30970504LK	130	50W	4000K	6500	1/6



- Conexión lineal
- Linkable
- Câblage traversant
- Collegabile
- Verknüpfbar



FAST CONNECTOR PICTURE



ADDITIONAL TECHNICAL DATA

LED CHIP

Light Source	LEXTAR LED 2835
Color Temperature	4000K
Colour Rendering Index	CRI 83
Led Lifespan	L70B10>50.000h
Photobiological safety	RG1

DRIVER

Model	Lifud LF-GIR050YM
Input Voltaje	220/240V-50hz
Output Voltaje	25-42Vdc
Output Current	1200mA
Efficiency	<90%
Temperature Index	Ta:50° Tc:90°
Ingress Protection	IP20

ACCESSORIES

30970000	Suspension Kit [1m]	1

Quick adjustment



BODY **ALU** COLOUR: White

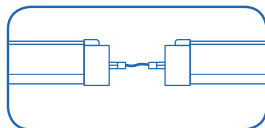
DIFFUSER **PC**

TITAN DATASHEET



TITAN SENSOR Linkable 50W

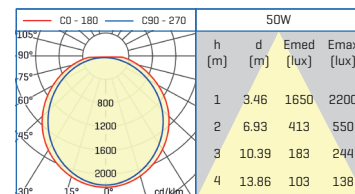
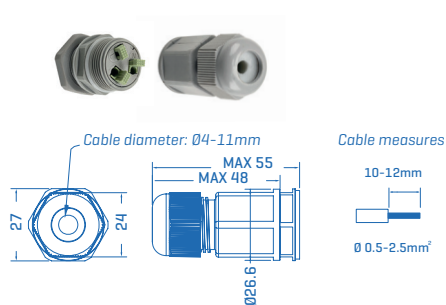
	Lm/W	W	K	Lm	
30970504LKS	130	50W	4000K	6500	1/6



- Conexión lineal
- Linkable
- Câblage traversant
- Collegabile
- Verknüpfbar



FAST CONNECTOR PICTURE



ACCESSORIES

30970000	Suspension Kit [1m]	1
----------	---------------------	---



30970001	Remote Control	1
----------	----------------	---



BODY **ALU** COLOUR: White

DIFFUSER **PC**

ADDITIONAL TECHNICAL DATA

LED CHIP

Light Source LEXTAR LED 2835

Color Temperature 4000K

Colour Rendering Index CRI 83

Led Lifespan L70B10>50.000h

Photobiological safety RG1

DRIVER

Model Lifud LF-GIR050YM

Input Voltaje 220/240V-50hz

Output Voltaje 25-42Vdc

Output Current 1200mA

Efficiency <90%

Temperature Index Ta:50° Tc:90°

Ingress Protection IP20

TITAN DATASHEET

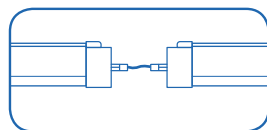


TITAN Linkable 60W

	Lm/W	W	K	Lm	
30970604LK	130	60W	4000K	7800	1/4

| 180-265 V 50-60 Hz CRI >80 | | 2.54 | FAST CONNECTOR | IK 10 | IP 65 | PF > 0,9 | NO DIM | ON OFF | > 45.000 50.000 h. | 120° | POLYCARBONATE DIFFUSER | DRIVER INCL

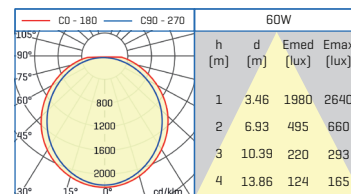
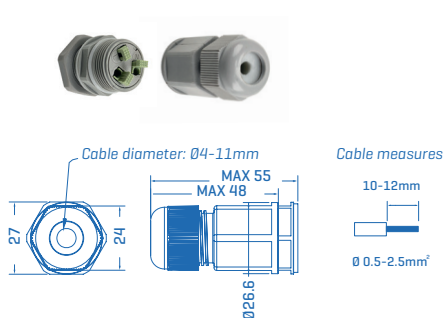
5 YEARS GUARANTEE | Glow Wire Test 650° | Photobiological Safety: RG1



- Conexión lineal
- Linkable
- Câblage traversant
- Collegabile
- Verknüpfbar



FAST CONNECTOR PICTURE



ADDITIONAL TECHNICAL DATA

LED CHIP

Light Source	LEXTAR LED 2835
Color Temperature	4000K
Colour Rendering Index	CRI 83
Led Lifespan	L70B10>50.000h
Photobiological safety	RG1

DRIVER

Model	Lifud LF-GIRO60YM
Input Voltaje	220/240V-50hz
Output Voltaje	25-42Vdc
Output Current	1500mA
Efficiency	<90%
Temperature Index	Ta:50° Tc:90°
Ingress Protection	IP20

ACCESSORIES

30970000	Suspension Kit [1m]	1

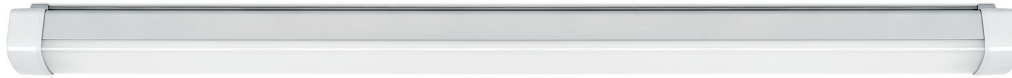
Quick adjustment



BODY **ALU** COLOUR: White

DIFFUSER **PC**

TITAN DATASHEET

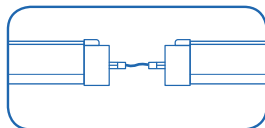


TITAN SENSOR Linkable 60W

	Lm/W	W	K	Lm	
30970604LKS	130	60W	4000K	7800	1/4

| 180-265 V 50-60 Hz CRI >80 | 2.08 | SENSOR Micro Wave | FAST CONNECTOR | IK 10 | IP 65 | PF > 0,9 | NO DIM | ON/OFF | 50.000 h. | 120° | POLYCARBONATE DIFFUSER | DRIVER INCL

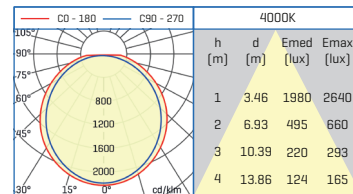
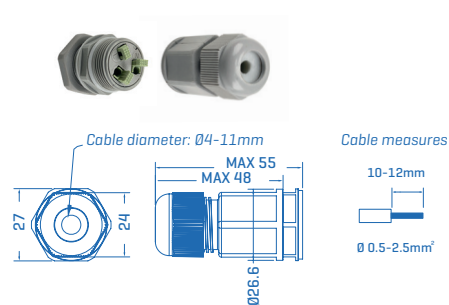
5 YEARS GUARANTEE | CE | Glow Wire Test 650° | Photobiological Safety: RG1



- Conexión lineal
- Linkable
- Câblage traversant
- Collegabile
- Verknüpfbar



FAST CONNECTOR PICTURE



ADDITIONAL TECHNICAL DATA

LED CHIP

Light Source	LEXTAR LED 2835
Color Temperature	4000K
Colour Rendering Index	CRI 83
Led Lifespan	L70B10>50.000h
Photobiological safety	RG1

DRIVER

Model	Lifud LF-GIR050YM
Input Voltaje	220/240V-50hz
Output Voltaje	25-42Vdc
Output Current	1500mA
Efficiency	<90%
Temperature Index	Ta:50° Tc:90°
Ingress Protection	IP20

ACCESSORIES

30970000	Suspension Kit [1m]	1
----------	---------------------	---

Quick adjustment

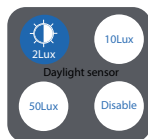
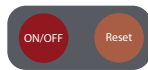
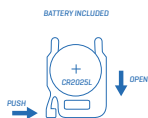
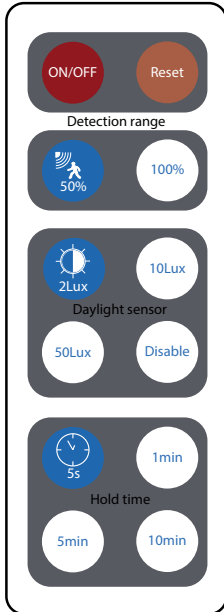


30970001	Remote Control	1
----------	----------------	---



BODY **ALU** COLOUR: White

DIFFUSER **PC**



INSTRUCCIONES / INSTRUCTIONS

ENCENDIDO Y APAGADO / ON & OFF

Presione ON/OFF para matener la luminaria encendida o apagada permanentemente. Presione Reset para salir de este modo y reestablecer los ajustes iniciales:
 Area de detección "100%"
 Tiempo encendido "5s"
 Umbral de luz diurna "Desactivado"

Press the "On/off" button, the light keeps permanently on or off. Press "Reset" button to quit from this mode and reset the initial settings:

Detection area: 100%

Hold time: 5s

Daylight threshold: Disable

RANGO DE DETECCIÓN / DETECTION RANGE

Presione los botones 50% / 100% para definir el area de detección
 Press 50%/100% button to define detection area.

UMBRAL DE LUZ DIURNA / DAYLIGHT SENSOR

Presione 2Lux / 10Lux / 50Lux / para definir el nivel de luz diurna. Presione Disable para desactivar este modo. La luminaria funcionará tanto de día como de noche en modo sensor.

Press 2Lux / 10Lux / 50 Lux to define daylight level.

"Disable" means light will be turned on once sensor detects.

TIEMPO / TIME

Presione 5s / 1min / 5 min / 10 min para definir el tiempo que se mantendrá encendida la luminaria despues de la detección.

Press 5s / 1min / 5min / 10min to define hold time.

ESPECIFICACIONES TÉCNICAS / TECHNICAL SPECIFICATIONS

La distancia entre dos luminarias debe ser mayor de 50cm, y no debe haber ningún objeto metálico enfrente de la luminaria. Todas las opciones tienen función de memoria.

Especificaciones técnicas:

- Area de detección: 50% / 100%
- Tiempo de encendido: 5s / 1min / 5 min / 10 min
- Umbral de luz de día: 2Lux / 10Lux / 50 Lux / Desactivado
- Rango de detección: Hasta 12m

The distance between two luminary should be more than 50cm, no large metal obstructions in front of luminary.

All of function keys with memory characteristics.

Tecnical specifications:

- Detection area: 50%/100%
- Hold time: 5s / 1min / 5min / 10min
- Daylight threshold: 2Lux / 10Lux / 50 Lux / Disable
- Detection range: Until 12m