

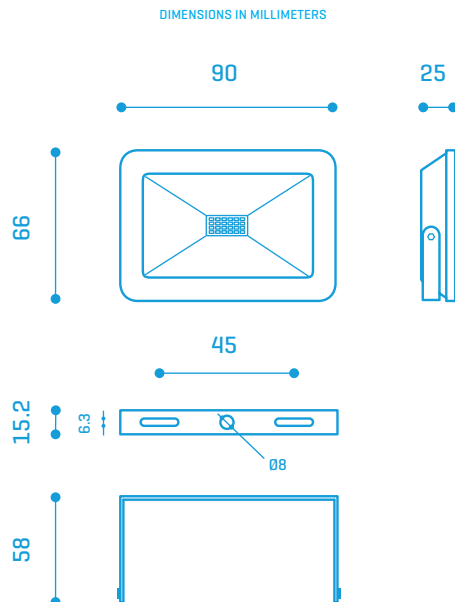
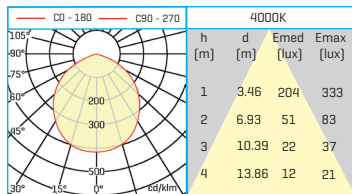
STAR DATASHEET



STAR 10W

| 30640104N | W | K | Lm | |
|-----------|-----|-------|-----|------|
| | 10W | 4000K | 800 | 1/50 |

| | | | | | | | | | | | | |
|-----|--|----------------------------------|------|-------|--|-------|----|--|----------|-----------|------|-------------|
| | | 220-240 V 50-60 Hz CRI >80 | | | | | | | | | | |
| SMD | | | 0.20 | 10 mm | | > 0,9 | 65 | | > 15.000 | 40.000 h. | 120° | DRIVER INCL |



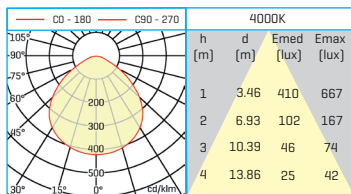
STAR DATASHEET



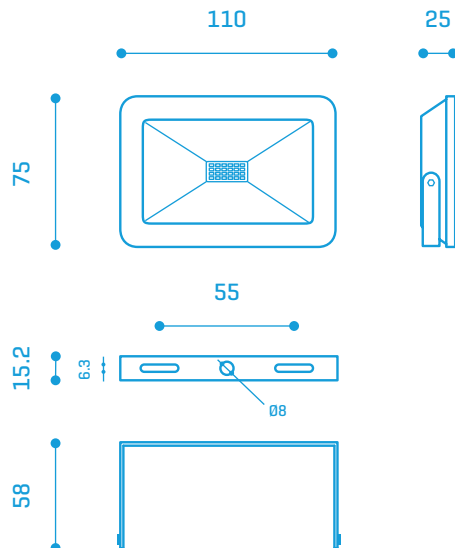
STAR 20W

| 30640204N | W | K | Lm | |
|-----------|-----|-------|------|------|
| | 20W | 4000K | 1600 | 1/50 |

|
 |
 |
 |
 |
 |
 |
 |
 |
 |
 |
 |



DIMENSIONS IN MILLIMETERS

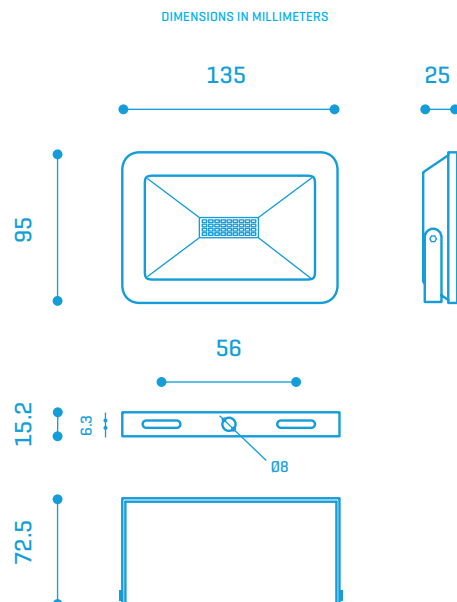
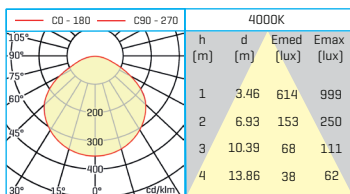


STAR DATASHEET



STAR 30W

| 30640304N | W | K | Lm | |
|-----------|-----|-------|------|------|
| 30640304N | 30W | 4000K | 2400 | 1/30 |
| | | | | |

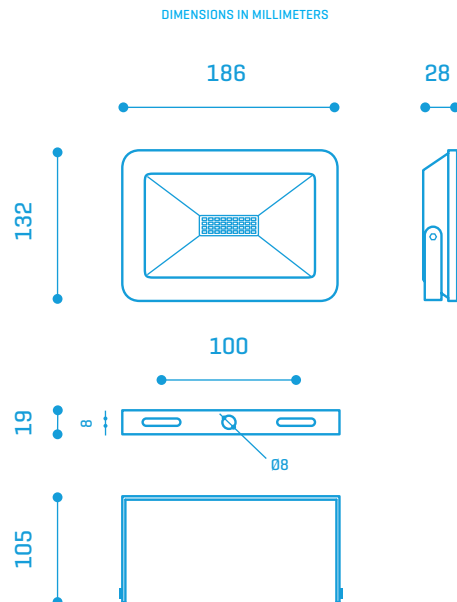
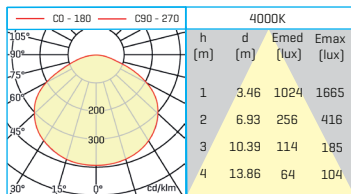


STAR DATASHEET



STAR 50W

| 30640504N | W | K | Lm | |
|---|-----|-------|------|------|
| | 50W | 4000K | 4000 | 1/20 |
| LED SMD 220-240 V 50-60 Hz CRI >80 0.65 10 mm 1 m PF > 0,9 IP 65 NO DIM ON/OFF > 15.000 40.000 h. 120° DRIVER INCL | | | | |

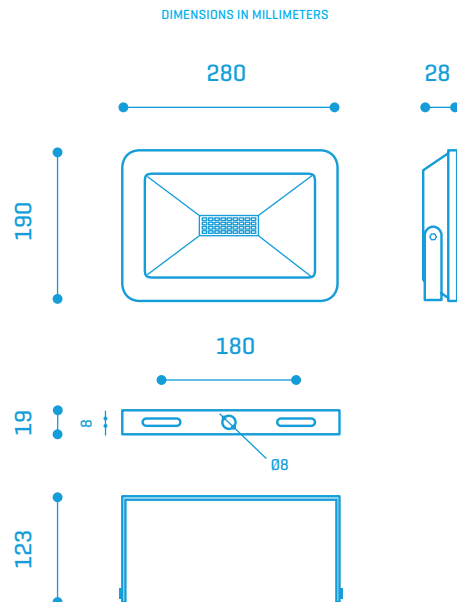
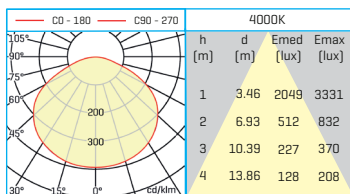


STAR DATASHEET



STAR 100W

| 30641004N | W | K | Lm | |
|-----------|------|-------|------|------|
| | 100W | 4000K | 8000 | 1/10 |
| | | | | |



STAR DATASHEET



STAR 150W

| 30641504N | W | K | Lm | Icon |
|-----------|------|-------|-------|------|
| | 150W | 4000K | 12000 | 1/5 |
| | | | | |

