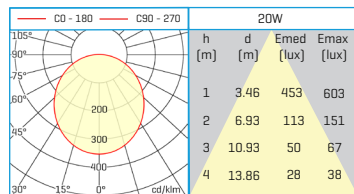


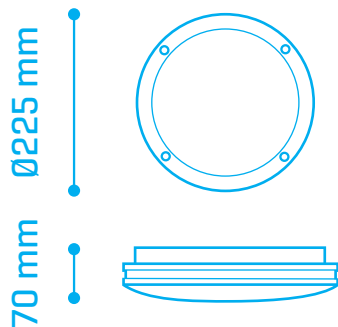
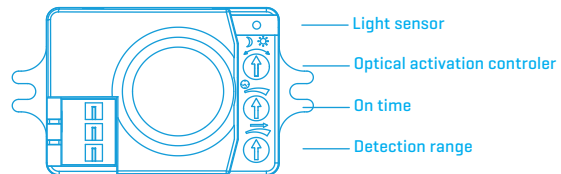


KAMEL 20W

	W	K	Lm	Colour	☐
30600204W	20W	4000K	1700	Matt White	1/6
30600204A	20W	4000K	1700	Anthracite	1/6
30600204WS	20W	4000K	1700	Matt White	1/6
30600204AS	20W	4000K	1700	Anthracite	1/6



SENSOR OPTIONS



- Operating temperatures: -20°C / +60°C
- Detection range: 1 m to 7m in radial form [adjustable]
  - On time: 8 seconds to 12 minutes [adjustable]
  - Detection angle: 360°
  - Installation height: 2 m to 3,5 m [2,5 m recommended]
  - Adjustable operating luminosity range from 2 to 2000lx

**Programing:**

**1. Optical activation controller**

The sensitivity range is adjustable from 2 to 2000lx. With the help of a screwdriver, turn clockwise to increase and anticlockwise to decrease the sensing range, depending on the place of installation.

**2. On time**

The on time of the luminaire once the sensor is triggered by presence detection, may be adjusted from 8 seconds to 12 minutes. With the help of a screwdriver, turn clockwise to increase and anticlockwise to decrease the on time. The sensor needs about 1 second after turning off the luminaire before the sensor can detect presence again.

**3. Detection range**

With the help of a screwdriver, turn clockwise to increase and anticlockwise to decrease the detection range in radial form from 1 to 7 meters.

Master / Slave luminaire configuration using only one sensor [see attached information]

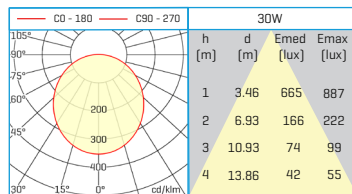
BODY  ALU  MAT

DIFFUSER  PC

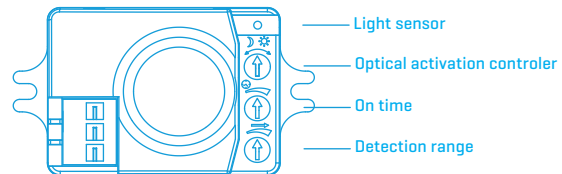


## KAMEL 30W

	W	K	Lm	Colour	
30600304W	30W	4000K	2500	Matt White	1/5
30600304A	30W	4000K	2500	Anthracite	1/5
30600304WS	30W	4000K	2500	Matt White	1/5
30600304AS	30W	4000K	2500	Anthracite	1/5



### SENSOR OPTIONS



Operating temperatures: -20°C / +60°C

- Detection range: 1 m to 7m in radial form [adjustable]
- On time: 8 seconds to 12 minutes [adjustable]
- Detection angle: 360°
- Installation height: 2 m to 3,5 m [2,5 m recommended]
- Adjustable operating luminosity range from 2 to 2000lx

#### Programming:

##### 1. Optical activation controller

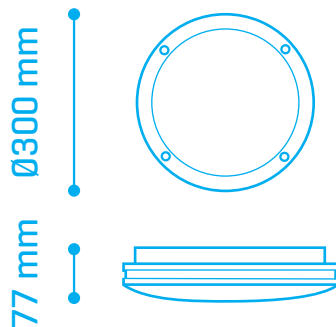
The sensitivity range is adjustable from 2 to 2000lx. With the help of a screwdriver, turn clockwise to increase and anticlockwise to decrease the sensing range, depending on the place of installation.

##### 2. On time

The on time of the luminaire once the sensor is triggered by presence detection, may be adjusted from 8 seconds to 12 minutes. With the help of a screwdriver, turn clockwise to increase and anticlockwise to decrease the on time. The sensor needs about 1 second after turning off the luminaire before the sensor can detect presence again.

##### 3. Detection range

With the help of a screwdriver, turn clockwise to increase and anticlockwise to decrease the detection range in radial form from 1 to 7 meters.



BODY **ALU** MAT  
DIFFUSER **PC**

Master / Slave luminaire configuration using only one sensor [see attached information]