

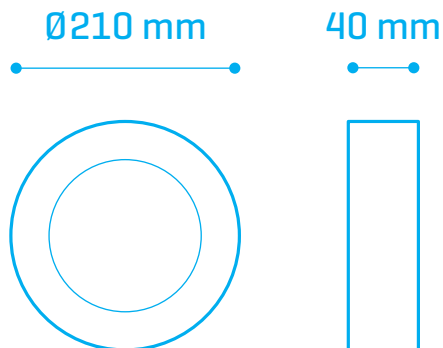
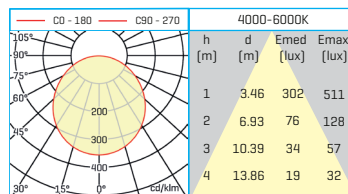


FLAT Surface 18W

	W	K	Lm	mA	
30090184	18W	4000K	1440	300	1/20
30090186	18W	6000K	1440	300	1/20



110-265 V
50-60 Hz
CRI >80





FLAT Surface Square 18W

	W	K	Lm	mA	
30270184	18W	4000K	1440	300	1/20
30270186	18W	6000K	1440	300	1/20



110-265 V
50-60 Hz
CRI >80

