

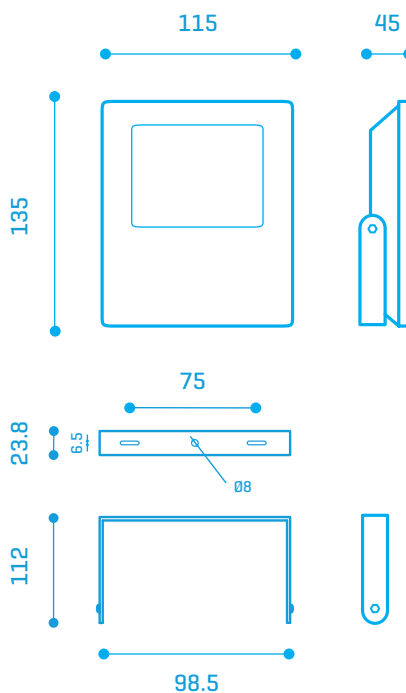
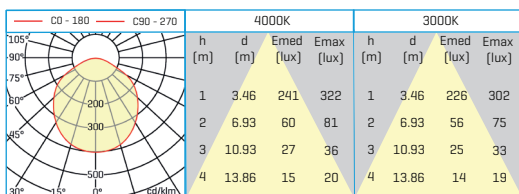


## FLASH 10W

	W	K	Lm	
30240104	10W	4000K	800	1/50
30240103	10W	3000K	750	1/50

| 
 | 
 85-265 V 50-60 Hz | 
 0.45 | 
 10 mm | 
 -20°+50° | 
 | 
 IP65 | 
 PF > 0,9 | 
 NO DIM | 
 > 100.000 | 
 50.000 h. | 
 120° | 
 DRIVER INCL

DIMENSIONS IN MILLIMETERS



# FLASH DATA SHEET

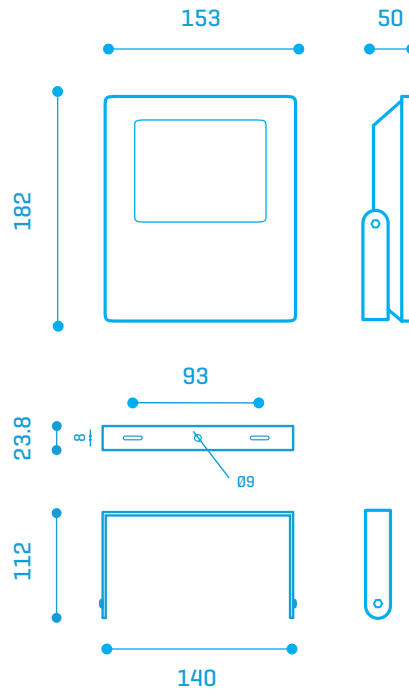
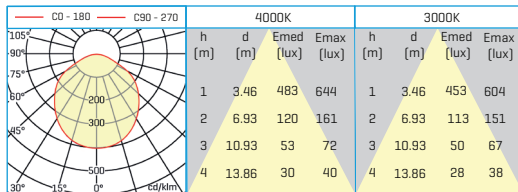


## FLASH 20W

	W	K	Lm	
30240204	20W	4000K	1600	1/20
30240203	20W	3000K	1500	1/20



DIMENSIONS IN MILLIMETERS

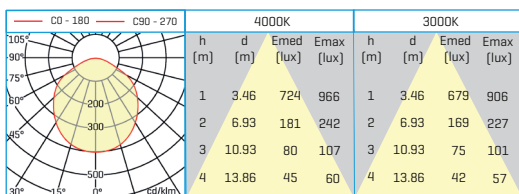


# FLASH DATA SHEET

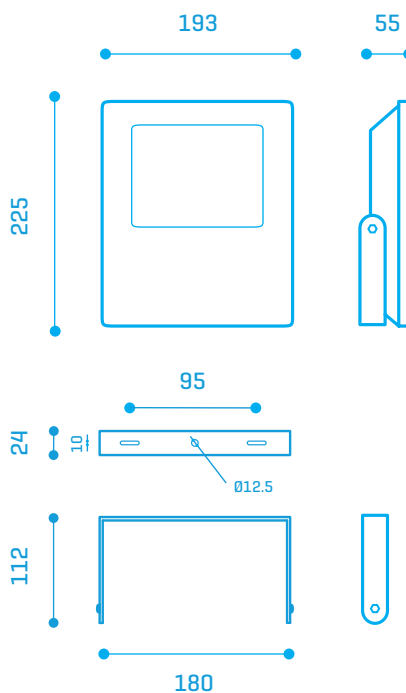


## FLASH 30W

	W	K	Lm	
30240304	30W	4000K	2400	1/10
30240303	30W	3000K	2250	1/10



DIMENSIONS IN MILLIMETERS



# FLASH DATA SHEET



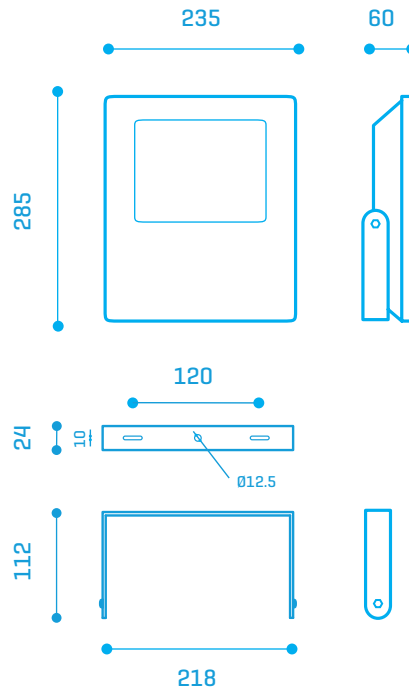
## FLASH 50W

	W	K	Lm	
30240504	50W	4000K	4000	1/10
30240503	50W	3000K	3750	1/10



C0 - 180		C90 - 270		4000K				3000K			
h (m)	d (m)	Emed (lux)	Emax (lux)	h (m)	d (m)	Emed (lux)	Emax (lux)	h (m)	d (m)	Emed (lux)	Emax (lux)
1	3.46	1207	1611	1	3.46	1132	1510	1	3.46	1132	1510
2	6.93	301	403	2	6.93	283	377	2	6.93	283	377
3	10.93	134	179	3	10.93	125	167	3	10.93	125	167
4	13.86	75	101	4	13.86	70	94	4	13.86	70	94

DIMENSIONS IN MILLIMETERS



# FLASH DATA SHEET



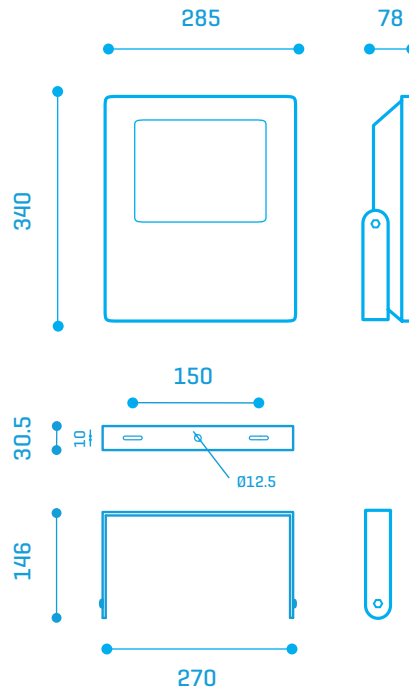
## FLASH 100W

	W	K	Lm	
30241004	100W	4000K	8000	1/5
30241003	100W	3000K	7500	1/5



DIMENSIONS IN MILLIMETERS

C0 - 180	C90 - 270	4000K				3000K			
		h [m]	d [m]	Emed [lux]	E <sub>max</sub> [lux]	h [m]	d [m]	Emed [lux]	E <sub>max</sub> [lux]
105°	90°	1	3.46	2416	3221	1	3.46	2264	3019
75°	60°	2	6.93	603	805	2	6.93	565	754
45°	30°	3	10.93	268	358	3	10.93	251	335
30°	15°	4	13.86	150	201	4	13.86	140	188

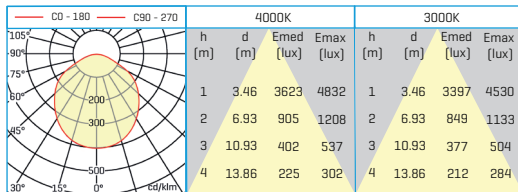


# FLASH DATA SHEET

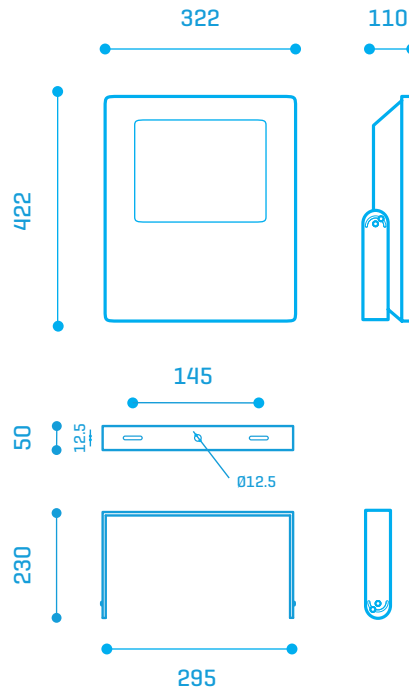


## FLASH 150W

	W	K	Lm	
30241504	150W	4000K	12000	1/3
30241503	150W	3000K	11250	1/3



DIMENSIONS IN MILLIMETERS



# FLASH DATA SHEET



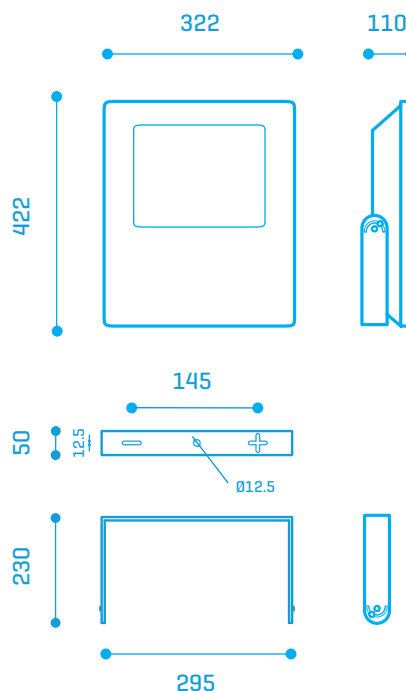
## FLASH 200W

	W	K	Lm	
30242004	200W	4000K	16000	1
30242003	200W	3000K	15000	1



C90 - 180		C90 - 270		4000K				3000K			
h	d	Emed	Emax	h	d	Emed	Emax	h	d	Emed	Emax
[m]	[m]	[lux]	[lux]	[m]	[m]	[lux]	[lux]	[m]	[m]	[lux]	[lux]
1	3.46	4832	6442	1	3.46	4529	6039	1	3.46	4529	6039
2	6.93	1208	1611	2	6.93	1132	1509	2	6.93	1132	1509
3	10.93	537	716	3	10.93	503	671	3	10.93	503	671
4	13.86	302	402	4	13.86	283	377	4	13.86	283	377

DIMENSIONS IN MILLIMETERS



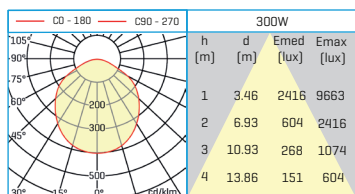
# FLASH DATA SHEET



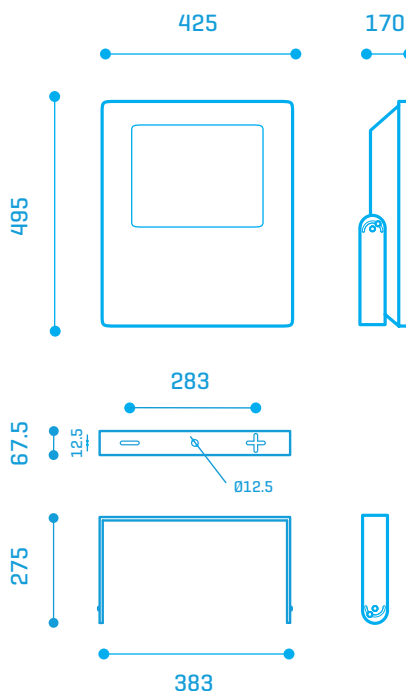
FLASH 300W

30243004	W	K	Lm	
	300W	4000K	24000	1

LED SMD | 
 85-265 V 50-60 Hz | 
 11.5 kg | 
 2x6 mm | 
 -20°+50° | 
 CE | 
 IP 65 | 
 PF > 0,9 | 
 NO DIM | 
 ON/OFF | 
 50.000 h. | 
 120° | 
 DRIVER INCL



DIMENSIONS IN MILLIMETERS





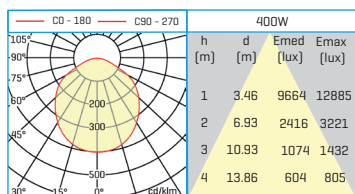
# FLASH DATA SHEET



FLASH 400 W

30244004	W	K	Lm	
	400W	4000K	32000	1

		85-265 V 50-60 Hz		14.5		2x6 mm		-20°+50°			IP65		> 0,9		NO DIM		> 100.000		50.000 h.		120°		DRIVER INCL
--	--	----------------------	--	------	--	--------	--	----------	--	--	------	--	-------	--	--------	--	-----------	--	-----------	--	------	--	-------------



DIMENSIONS IN MILLIMETERS

